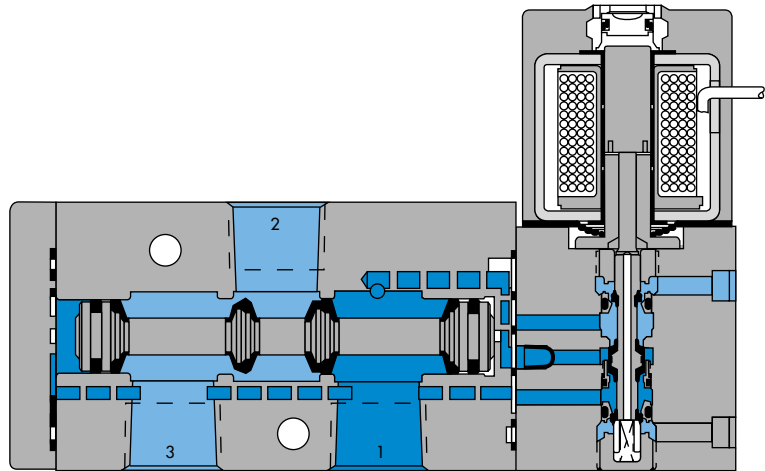


Individual mounting

inline	
--------	--

Circuit bar mounting

cylinder ports in base		cylinder ports in valve
---------------------------	--	----------------------------



Function	Port size	Flow (Max)	Individual mounting
3/2 NO-NC	G1/8" - G1/4"	1500 NI/min	inline

OPERATIONAL BENEFITS

1. The 4-way pilot develops maximum shifting forces both ways.
2. Memory spring available.
3. Balanced spool, immune to variations of pressure, also provides high flow.
4. Short stroke with high flow.
5. Bonded spool with minimum friction, shifting in a glass-like finished bore.
6. Pilot with balanced poppet, high flow, short and consistent response times.
7. Wiping effect eliminates sticking.
8. Long service life.



Reset

HOW TO ORDER

Port size	Pilot air	Single operator		Double operator	
		NO valve	NC valve	NO valve	NC valve
G1/8"	Internal	52A-31-COA-DM-Dxxx-xxx	52A-11-COA-DM-Dxxx-xxx	52A-41-COA-DM-Dxxx-xxx	52A-21-COA-DM-Dxxx-xxx
G1/4"	Internal	52A-31-DOA-DM-Dxxx-xxx	52A-11-DOA-DM-Dxxx-xxx	52A-41-DOA-DM-Dxxx-xxx	52A-21-DOA-DM-Dxxx-xxx
G1/8"	External	52A-31-COB-DM-Dxxx-xxx	52A-11-COB-DM-Dxxx-xxx	52A-41-COB-DM-Dxxx-xxx	52A-21-COB-DM-Dxxx-xxx
G1/4"	External	52A-31-DOB-DM-Dxxx-xxx	52A-11-DOB-DM-Dxxx-xxx	52A-41-DOB-DM-Dxxx-xxx	52A-21-DOB-DM-Dxxx-xxx

SOLENOID OPERATOR >

 DM-D **XX X - X XX***

XX	Voltage	X	Wire length	X	Manual operator	XX	Electrical connection
JA	110V~/50Hz	A	45 cm (Flying leads)	1	Non-locking	KA	Square connector
JB	220V~/50Hz	J	Connector	2	Locking	KD	Square connector with light
JC	24V~/50Hz					JB	Rectangular connector
DA	24V=/5,4W					JD	Rectangular connector with light
FB	24V=/1,8W					BA	Flying leads
DF	24V=/12,7W						

OPTIONS

52A-31-COA-DM-Dxxx-xxx

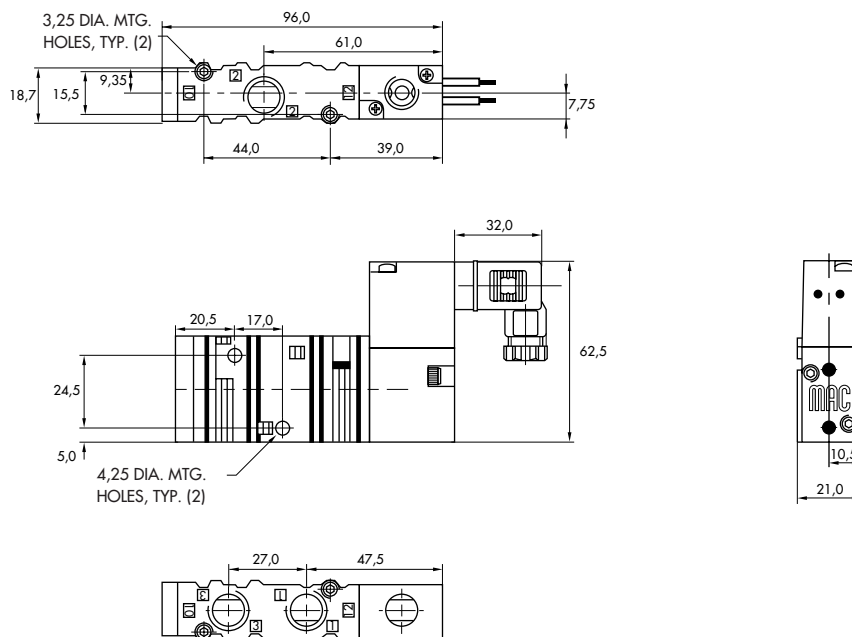
click for memory spring (replace by 4).

**TECHNICAL
DATA**

Fluid :	Compressed air, vacuum, inert gases
Pressure range :	Internal pilot : 1.4 to 8.5 bar External pilot : vacuum to 8.5 bar
Pilot pressure :	1.4 to 8.5 bar
Lubrication :	Not required, if used select a medium aniline point lubricant (between 80°C and 100°C)
Filtration :	40 µ
Temperature range :	-18°C to +50°C
Orifice :	7.3 mm
Flow (at 6 bar, ΔP=1bar) :	1500 NI/min (C _v 1.5)
Leak rate :	50 cm ³ /min
Coil :	Epoxy encapsulated - class A wires - 100% ED (specify mod 0449)
Voltage range :	-15% to +10% of nominal voltage
Protection :	IP 65
Power :	~ Inrush : 10.9 VA Holding : 7.7 VA = 1.8 to 12.7 W
Response times :	24 V= /5.4 W Energize : 7.3 ms De-energize : 5.3ms 50Hz/6 W Energize : 8-12 ms De-energize : 7-11 ms

- Spare parts : • Pilot valve : DM-DXXX-XXX, including mounting screws 35043 and seal 16524.
- Options : • NPTF threads.

DIMENSIONS



Function	Port size	Flow (Max)	Individual mounting
3/2 NO-NC	G1/8" - G1/4"	1200 NI/min	cylinder ports in base

OPERATIONAL BENEFITS

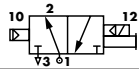
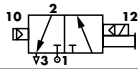
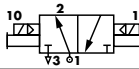
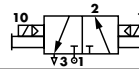
1. The 4-way pilot develops maximum shifting forces both ways.
2. Memory spring available.
3. Balanced spool, immune to variations of pressure, also provides high flow.
4. Short stroke with high flow.
5. Bonded spool with minimum friction, shifting in a glass-like finished bore.
6. Pilot with balanced poppet, high flow, short and consistent response times.
7. Wiping effect eliminates sticking.
8. Long service life.



Reset

HOW TO ORDER

HOW TO ORDER VALVE FOR CIRCUIT BAR MOUNTING

Pilot air	Single operator		Double operator	
	NO valve	NC valve	NO valve	NC valve
Internal	 52A-33-OOA-DM-Dxxx-xxx	 52A-13-OOA-DM-Dxxx-xxx	 52A-43-OOA-DM-Dxxx-xxx	 52A-23-OOA-DM-Dxxx-xxx
External	52A-33-OOC-DM-Dxxx-xxx	52A-13-OOC-DM-Dxxx-xxx	52A-43-OOC-DM-Dxxx-xxx	52A-23-OOC-DM-Dxxx-xxx

SOLENOID OPERATOR >

DM-D **XX X - X XX***

XX	Voltage	X	Wire length	X	Manual operator	XX	Electrical connection
JA	110V~/50Hz	A	45 cm (Flying leads)	1	Non-locking	KA	Square connector
JB	220V~/50Hz	J	Connector	2	Locking	KD	Square connector with light
JC	24V~/50Hz					JB	Rectangular connector
DA	24V=/5,4W					JD	Rectangular connector with light
FB	24V=/1,8W					BA	Flying leads
DF	24V=/12,7W						

HOW TO ORDER CIRCUIT BAR **

Port size	Pilot air	Spacing standard 19,5 mm	Spacing 26 mm (Rectangular connector)
G1/8"	Internal	CBP052A-00AAB-xx	CBP052A-02AAB-xx
G1/4"		CBP052A-00AAE-xx	CBP052A-02AAE-xx
G1/8"	External	CBP052A-00EAB-xx	CBP052A-02EAB-xx
G1/4"		CBP052A-00EAE-xx	CBP052A-02EAE-xx

** Other options available. Consult factory.

Number of stations (03=3 stations)

OPTIONS

52A-33-OOA-DM-Dxxx-xxx

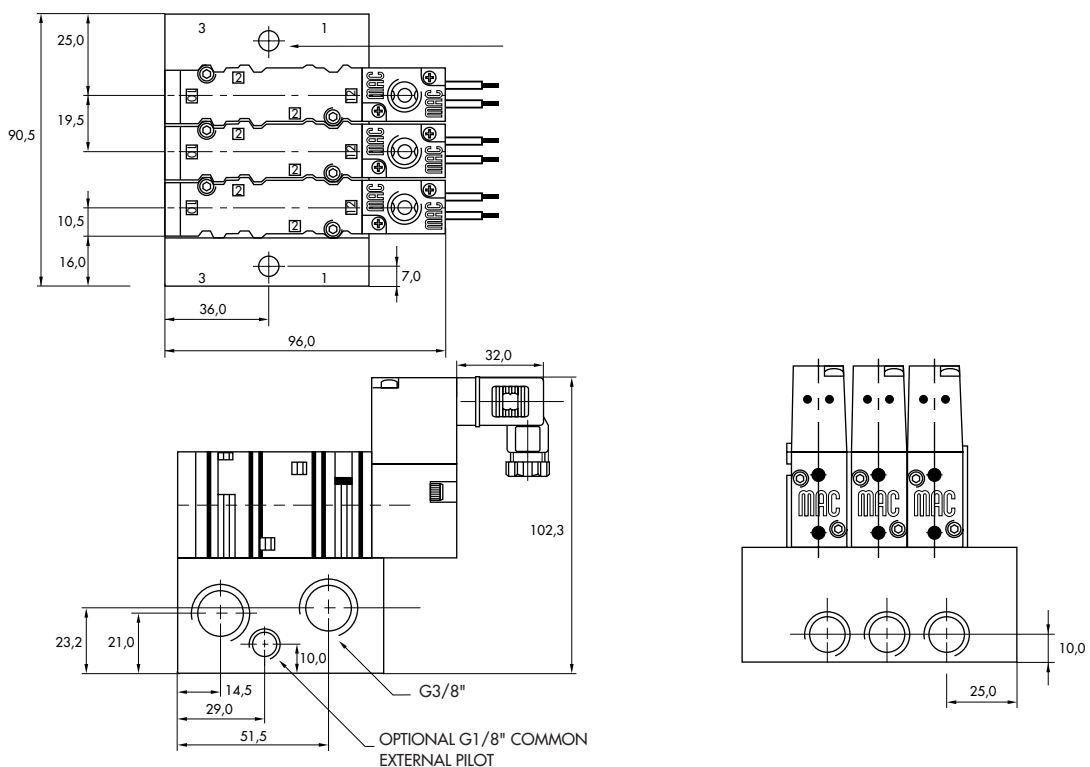
click for memory spring (replace by 6).

**TECHNICAL
DATA**

Fluid :	Compressed air, vacuum, inert gases
Pressure range :	Internal pilot : 1.4 to 8.5 bar External pilot : vacuum to 8.5 bar
Pilot pressure :	1.4 to 8.5 bar
Lubrication :	Not required, if used select a medium aniline point lubricant (between 80°C and 100°C)
Filtration :	40 µ
Temperature range :	- 18 °C to + 50 °C
Orifice :	7.3 mm
Flow (at 6 bar, ΔP=1bar) :	1200 NI/min (C _v 1,2)
Leak rate :	50 cm ³ /min
Coil :	Epoxy encapsulated - class A wires - 100% ED (specify mod 0449)
Voltage range :	-15% to +10% of nominal voltage
Protection :	IP 65
Power :	~ Inrush : 10.9 VA Holding : 7.7 VA = 1.8 to 12.7 W
Response times :	24 V=5.4 W Energize : 7.3 ms De-energize : 5.3ms 50Hz/6 W Energize : 8-12 ms De-energize : 7-11 ms

- Spare parts : • Pilot valve : DM-DXXX-XXX, including mounting screws 35043 and seal 16524.
- Accessories : • Blanking plate : M-52003. • Seal (x3) : 17013-01. • Mounting screw (x2) : 35043.
- Options : • NPTF threads. • Isolation of inlet and/or exhaust.

DIMENSIONS



Function	Port size	Flow (Max)	Circuit bar mounting
3/2 NO-NC	G1/8" - G1/4"	1500 NI/min	cylinder ports in valve

OPERATIONAL BENEFITS

1. The 4-way pilot develops maximum shifting forces both ways.
2. Memory spring available.
3. Balanced spool, immune to variations of pressure, also provides high flow.
4. Short stroke with high flow.
5. Bonded spool with minimum friction, shifting in a glass-like finished bore.
6. Pilot with balanced poppet, high flow, short and consistent response times.
7. Wiping effect eliminates sticking.
8. Long service life.



HOW TO ORDER
SOLENOID OPERATOR

Port size	Pilot air	Single operator		Double operator	
		NO valve	NC valve	NO valve	NC valve
G1/8"	Internal	52A-31-COA-DM-Dxxx-xxx	52A-11-COA-DM-Dxxx-xxx	52A-41-COA-DM-Dxxx-xxx	52A-21-COA-DM-Dxxx-xxx
G1/4"	Internal	52A-31-DOA-DM-Dxxx-xxx	52A-11-DOA-DM-Dxxx-xxx	52A-41-DOA-DM-Dxxx-xxx	52A-21-DOA-DM-Dxxx-xxx
G1/8"	External	52A-31-COC-DM-Dxxx-xxx	52A-11-COC-DM-Dxxx-xxx	52A-41-COC-DM-Dxxx-xxx	52A-21-COC-DM-Dxxx-xxx
G1/4"	External	52A-31-DOC-DM-Dxxx-xxx	52A-11-DOC-DM-Dxxx-xxx	52A-41-DOC-DM-Dxxx-xxx	52A-21-DOC-DM-Dxxx-xxx

SOLENOID OPERATOR >
DM-D XX X - X XX*

XX Voltage	X Wire length	X Manual operator	XX Electrical connection
JA 110V~/50Hz	A 45 cm (Flying leads)	1 Non-locking	KA Square connector
JB 220V~/50Hz	J Connector	2 Locking	KD Square connector with light
JC 24V~/50Hz			JB Rectangular connector
DA 24V=/5,4W			JD Rectangular connector with light
FB 24V=/1,8W			BA Flying leads
DF 24V=/12,7W			

HOW TO ORDER CIRCUIT BAR **

Port size	Pilot air	Spacing standard 19,5 mm	Spacing 26 mm (Rectangular connector)
G3/8"	Internal	CBM052A-00AAB-xx	CBM052A-02AAB-xx
	External	CBM052A-00CAB-xx	CBM052A-02CAB-xx

** Other options available. Consult factory.

Number of stations (03=3 stations)

OPTIONS

52A-31-COA-DM-Dxxx-xxx

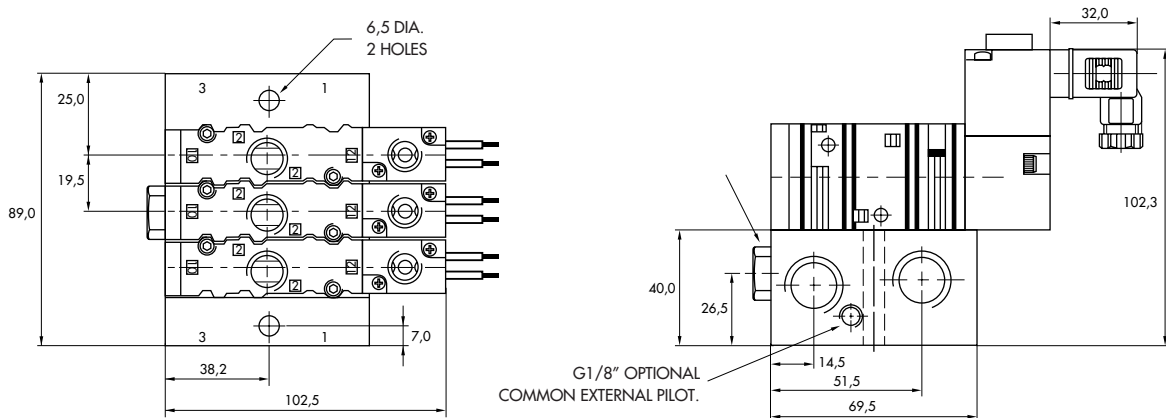
click for memory spring (replace by 4).

**TECHNICAL
DATA**

Fluid :	Compressed air, vacuum, inert gases
Pressure range :	Internal pilot : 1.4 to 8.5 bar External pilot : vacuum to 8.5 bar
Pilot pressure :	1.4 to 8.5 bar
Lubrication :	Not required, if used select a medium aniline point lubricant (between 80°C and 100°C)
Filtration :	40 μ
Temperature range :	-18°C to +50°C
Orifice :	7.3 mm
Flow (at 6 bar, ΔP=1bar) :	1500 NI/min (C _v 1.5)
Leak rate :	50 cm ³ /min
Coil :	Epoxy encapsulated - class A wires - 100% ED (specify mod 0449)
Voltage range :	-15% to +10% of nominal voltage
Protection :	IP 65
Power :	- Inrush : 10.9 VA Holding : 7.7 VA = 1.8 to 12.7 W
Response times :	24 V= / 5.4 W Energize : 7.3 ms De-energize : 5.3ms 50Hz/ 6 W Energize : 8-12 ms De-energize : 7-11 ms

- Spare parts : • Pilot valve : DM-DXXX-XXX, including mounting screws 35043 and seal 16524.
- Accessories : • Blanking plate :M-04001. • Seal (x3) : 17015-01. • Mounting screw (x2) : 35043.
- Options : • NPTF threads. • Isolation of inlet and/or exhaust.

DIMENSIONS





0 p t i o n s

Codification table for voltages / Wire length / Manual operator / Electrical connection

VALVE CODE >

DM- DXX X - X XX
1 2 3 4

OPTIONS AVAILABLE FOR

- pilot operated valves 400 & 52 Series

1. VOLTAGE

- D XX X - X XX	VOLTAGE
DA	24 V=/5,4 W
DB	12 V=/5,4 W
DC	12 V=/7,5 W
DD	24 V=/7,3 W
DE	12 V=/12,7 W
DF	24 V=/12,7 W
DK	110 V=/4,7 W
DJ	28 V=/5,2 W
DL	64 V=/6 W
DM	36 V=/5,3 W
DN	6 V=/6 W
DR	90 V=/6,6 W
DS	110 V=/7,3 W
DT	75 V=/5,6 W
DP	48 V=/5,8 W
FA	12 V=/1,8 W
FB	24 V=/1,8 W
FE	12 V=/2,4 W
FF	24 V=/2,4 W
JA	120V~/60 Hz, 110V~/50 Hz (2,9 W)
JB	240 V~/60 Hz, 220V~/50 Hz (2,9 W)
JC	24 V~/60 Hz, 24V~/50 Hz (3,7 W)
JD	100 V~/60 Hz, 100V~/50 Hz, 110V~/60 Hz (3,9 W)

2. WIRE LENGTH

- D XX X - X XX	WIRE LENGTH
A	45 cm - 18"
B	60 cm - 24"
C	90 cm - 36"
D	120 cm - 48"
E	180 cm - 72"
F	240 cm - 96"
J	For external plug-in connector

3. MANUAL OPERATOR

- D XX X - X XX	MANUAL OPERATOR
0	No operator
1	Non-locking recessed
2	Locking recessed
3	Non-locking extended
4	Locking extended

4. ELECTRICAL CONNECTION

- D XX X - X XX	ELECTRICAL CONNECTION
BA	Flying leads
BK	BA with protection diode
BL	BA with protection varistor
CA	1/2" NPS conduit
JB	Rectangular connector
JD	Rectangular connector with light
JM	Rectangular connector, male only
KA	Square connector
KB	Square connector with protection diode
KC	Square connector with protection varistor
KD	Square connector with light
KE	Square connector with light and protection diode
KF	Square connector with light and protection varistor
KJ	Square connector (male only)
KK	Square connector with protection diode (male only)
KL	Square connector with protection varistor (male only)
TA	Dual tabs
TB	TA with protection diode
TD	TA with light
TE	TA with light and protection diode
TJ	Dual tabs (male only)
TK	TJ with protection diode
TM	TJ with light
TN	TJ with light and protection diode